



24VDC

VIRTUAL
ENCODER

BULL624 TURBO



turbo

COMMERCIAL USE

control unit with incorporated receiver and virtual encoder
personalised release key
built-in battery charger

STC
SYSTEM

up to 600 kg

arc
only

KNX

24 Vdc | intensive use



512

- Fast 24 VDC geared motor for intensive use with integrated control unit equipped with switching power supply (115/230 VAC) that permits a reduced power use and a long lifespan of the actuator
- The main control unit, on the top part of the motor, makes it possible to facilitate the wiring procedure and also to calculate the position of the motor starting from the measurement of instantaneous speed (virtual encoder)
- The virtual encoder allows proper management of the slowing-down phases, movement tracking (STC system), and torque management in relation to the position of the gate, which guarantees maximum safety
- Self-programming with the radio transmitter can be activated at the first installation. Practical cableguides
- **Maximum performance and speed (25.5 m/min with 600 kg)**
- Anti-crushing system with amperometric obstacle detection
- Safety sensor that stops the motor power supply during release operations
- Designed for connection to the X.BE module to integrate the device into KNX home automation systems
- Convenient compartment for 2 mod. DA.BT2 2.1 Ah batteries
- Metal release lever
- Option to operate opposed sliding gates using the SIS accessory
- Version available with magnetic limit switches (BULL624 TURBO.S)



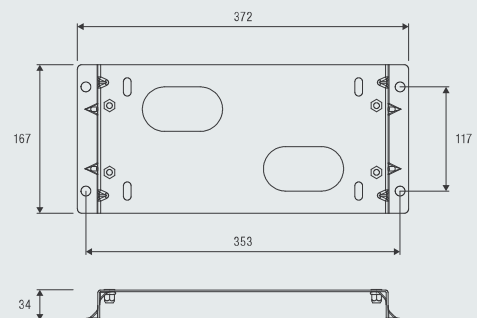
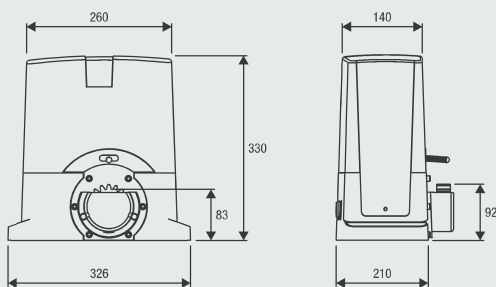
CONTROL UNITS:

BULL624 TURBO — CP.B24 TURBO 163

BULL624 TURBO.S — CP.B24 TURBO 163



Raised foundation plate included. Height 34 mm,
Floor fixing distance 353x117 mm, no. 4 Ø 11 mm,
motor fixing distance 300x75 mm n.4 M8.



COMPLETE KITS



MOTOR



PHOTOCELLS



FLASHING LIGHT



SELECTOR



TRANSMITTER

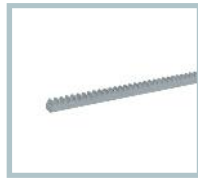
KBULL624TURBO1x **BULL624TURBO**1x **PUPILLA.R**1x **LAMP124.LED**1x **TOKEY**1x **TO.GO2VA**



RI.M4F
M4 rack, to weld or attach with screws, 30x12x1000 mm slotted and galvanised. Supplied with M6 metric screws and threaded spacers.
Package of 4 pcs.



RI.M4Z
M4 galvanised rack to weld 22x22x2000 mm.
Package of 2 pcs.



RI.M4ZF
Galvanised slotted M4 rack 22x22x2010 mm for fastening to the side with the teeth. Supplied with M6 screws.
Package of 1 pc.



RI.M4P
Nylon rack with steel core, to attach with screws, M4, 28x40x1000 mm. Slotted, provided with self-drilling screws.
Package of 10 pcs.



BULL.P3
Raised foundation plate. Height 34 mm. Floor fixing distance 260x117 mm, no. 4 Ø 11 mm, motor fixing distance 300x75 mm n.4 M8.



SB.BULL8.F
Externally fitted anti-intrusion cable unlock device (L=4.5m).



X.BE
Electronic interface board between the KNX communication system and Beninca automation devices.



ID.TA
Warning board.



IRI.TX4VA
4-channel transmitter with Advanced Rolling Code and Rolling Code.



IRI.TX4AK
4-channel transmitter with Advanced Rolling Code and Fixed Code.



IRI.LAMP
White full range flashing light, 20-255 VAC with built-in aerial.



IRI.KPAD
Battery operated wireless vandal-proof digital keypad with alert buzzer and backlit buttons. Triple coding: Rolling Code, Programmable Code and Advanced Rolling Code. 254 memorisable codes.



IRI.CELL
Pair of vandal-proof metal covers for PUPILLA/PUPILLA.R photocells, comprising front and rear shells with concealed screw. They can maintain perfect orientation over 180°.



PUPILLA
Pair of photocells adjustable to 180°. Option to synchronise up to 4 pairs, 24 VAC/DC power supply. Easy adjustment through a LED that signals optimal alignment. Compact size: 36x110x35 mm



BULL624T.CB
Kit comprising 5 cables and 5 brackets for battery installation and operation even in the event of a power failure.



SIS
Quick connection electronic board that allows synchronised movement of 2 automation devices (opposed sliding gates). One board for each motor is necessary.

TECHNICAL DATA	BULL624 TURBO	BULL624 TURBO.S
Power supply	115 Vac / 230 Vac (50-60Hz)	115 Vac / 230 Vac (50-60Hz)
Motor supply	24 Vdc	24 Vdc
Max absorbed current	3 A	3 A
Power consumption in stand-by	8 mA	8 mA
Max Thrust	330 N	330 N
Opening speed	12.5÷25.5 m/min	12.5÷25.5 m/min
Duty cycle	60%*	60%*
Protection level	IP44	IP44
Magnetic limit switches	NO	YES
Operating temperature	-20°C /+50°C	-20°C /+50°C
Max gate weight	600 kg	600 kg
Driving gear for rack	M4 Z18	M4 Z18
Weight	10 kg	10 kg
Items no. per pallet	40	40
Kit weight	10.6 kg	---
Kits no. per pallet	40	---

* In extreme operating conditions (environment T 50°C, speed 25.5 m/min, gate weight 600 kg) the cycle falls to 40%