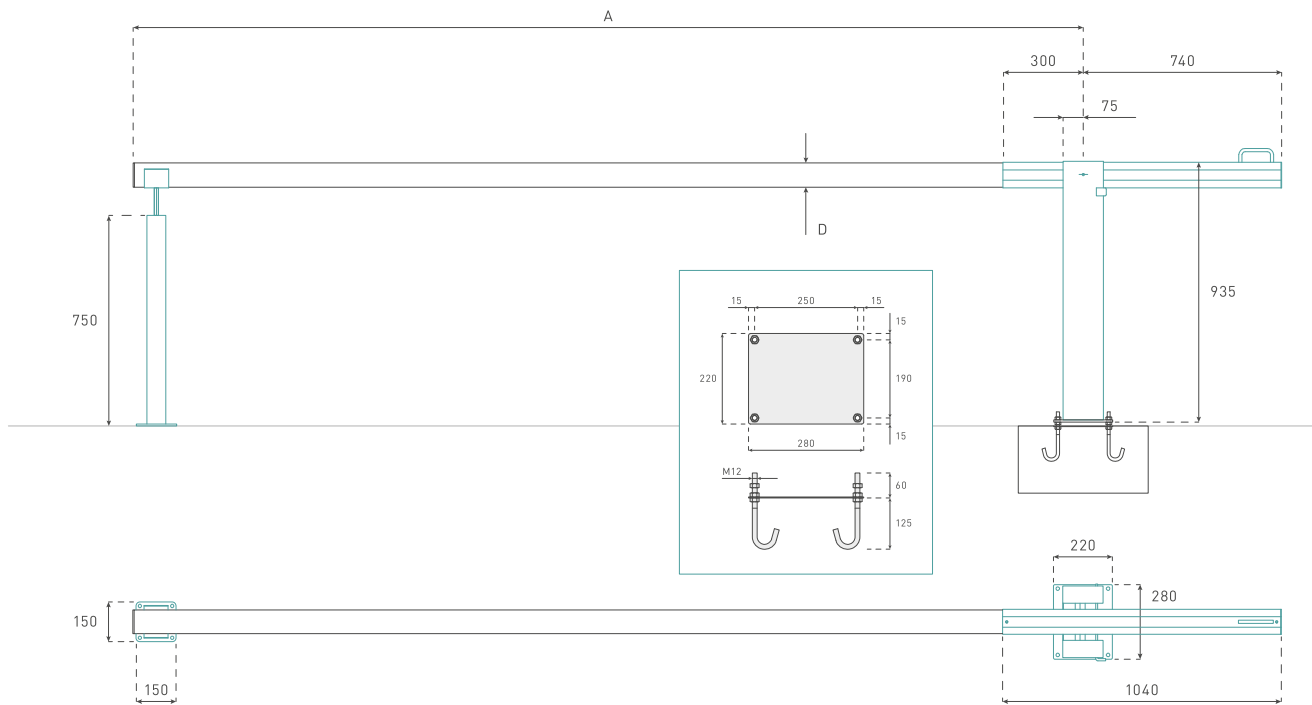


LIMIT 4 MANUAL BARRIER



A (mm)	D (mm)	Bar weight (kg)	Series 805 counterweight		Concrete counterweight	
			Counterweights required for balance	Balancing	Weight necessary for balance	Balancing
2,0	70	2,30	1pz - 805.11		4	
2,5	70	2,90	1pz - 805.11 / 1pz - 805.12		7,5	
3,0	70	3,45	1pz - 805.11 / 2pz - 805.12		10	Balanced
3,5	70	4,05	1pz - 805.11 / 4pz - 805.12	Balanced	12,5	
4,0	70	4,60	1pz - 805.11 / 5pz - 805.12		20	
4,5	70	5,20	1pz - 805.11 / 8pz - 805.12		25	Unbalanced
5,0	70	5,80	1pz - 805.11 / 10pz - 805.12		35	
2,0	90	3,00	1pz - 805.11		4	
2,5	90	3,75	1pz - 805.11 / 2pz - 805.12		8	Balanced
3,0	90	4,50	1pz - 805.11 / 4pz - 805.12		15	
3,5	90	5,25	1pz - 805.11 / 7pz - 805.12	Balanced	20	
4,0	90	6,00	1pz - 805.11 / 10pz - 805.12		25	
4,5	90	6,75	1pz - 805.11 / 12pz - 805.12		35	
5,0	90	7,50	1pz - 805.11 / 13pz - 805.12		40	Unbalanced
5,5	90	8,20	1pz - 805.11 / 13pz - 805.12		50	
6,0	90	9,00	1pz - 805.11 / 13pz - 805.12	Unbalanced	60	
6,5	90	9,70	1pz - 805.11 / 13pz - 805.12		80	