

230_{VAC}24_{VDC}

TOM30M

TOM3024E

LINEAR TELESCOPIC OPERATOR

adjustable mechanical stops in opening and closing
 patented FACE gears
 bronze alloy release wheel
 personalised release key

fino a 3,0 m



CONTROL UNITS:

TOM30M	BRAINY	140
	HEADY	141
TOM30ME	BRAINY	140
TOM3024E	BRAINY24 ^{PLUS}	148
	BRAINY24	149
	TRUST24	150

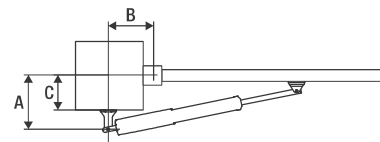
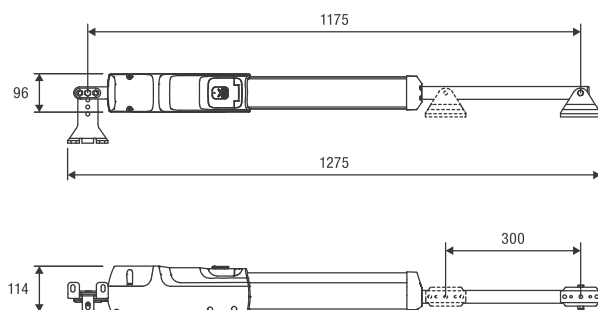
Reliable and innovative gear motor, thanks to the 2 adjustable mechanical stops in opening and closing accessible from above and positioned under the metal cover of the shaft. Available in 230 Vac and 24 Vdc versions. Ideal for the automation of any type of swing gate thanks also to the compact footprints (only 96 mm width) and screw-in brackets. The 45° inclination of the wiring cable allows the distance from the ground to be reduced to a minimum. The rear and front brackets, aligned on the same axis, enable the better distribution of loads by optimizing the lifespan of the actuator. The worm screw protected by wiper ring and stainless steel shaft make it suitable for dusty or sandy environments, or places with aggressive weather conditions.

230 Vac

- Irreversible 230 Vac electromechanical gear motor
- Available in two versions: one with easily adjustable limit switch and accessible from above (TOM30M), the other with encoder (TOM30ME)
- The encoder device in the TOM30ME version ensures crush prevention and precision in the gate moving phases

24 Vdc | intensive use

- Irreversible 24 Vdc electromechanical gear motor for intensive use equipped with encoder
- The TRUST24 control unit ensures power consumption in standby mode of < 0.8 W
- The encoder guarantees maximum safety and precision while the gate is moving
- Amperometric sensor obstacle detection system to prevent crushing
- Possibility of battery operation



A (mm)	B (mm)	C (mm)
100-182,5	110-200	25-110

COMPLETE KITS	MOTORS	CONTROL UNIT	PHOTOCELLS	FLASHING LIGHT	TRANSMITTER
KTOM30M	2x TOM30M	1x HEADY	1x PUPILLA.T	1x LAMPY	1x TO.GO2VA
KTOM30ME.B	2x TOM30ME	1x BRAINY	1x PUPILLA.T	1x LAMPY	1x TO.GO2VA
KTOM3024E	2x TOM3024E	1x TRUST24	1x PUPILLA.T	1x LAMPY	1x TO.GO2VA

**TOM.SR**

Rear adjustable screw-in bracket.

**DU.V96**

12 Vac/dc vertical electric lock, supplied with counterplate. Permits internal/external release.

**DU.V90**

12 Vac/dc horizontal electric lock, supplied with counterplate. Permits internal/external release.

**DU.9990**

Covering plate for DU.V90.

**E.LOCK**

230 Vac vertical electric lock, supplied with counterplate.

**E.LOCKSE**

Extended cylinder for E.LOCK electric lock. It allows unlocking gates up to 55mm-thick from the outside.

**CABLE.24E**

Cable reel with 5 conductors (2 for motor, 3 for encoder) for connecting the encoder device in the 24 Vdc versions. L= 100 m.

**XLB.CB**

Battery box fitted with universal bracket and cables. IP54.

**DA.LB**

Galvanized column for outdoor installation of LB box.

**BRAINY24.CB-SW**

Accessory equipped with 1.2 Ah batteries and support bracket.

**BRAINY24.CB**

Accessory with CBY.24V battery charger, 1.2 Ah batteries and support bracket.

TECHNICAL DATA	TOM30M	TOM30ME	TOM3024E*
Motor supply	230 Vac (50-60Hz)	230 Vac (50-60Hz)	24 Vdc
Max absorbed current	1.3 A	1.3 A	5.5 A
Max Thrust	2000 N	2000 N	1500 N
Opening time	18"	18"	11"
Duty cycle	30%	30%	intensive use
Max stroke	300 mm	300 mm	300 mm
Protection level	IP44	IP44	IP44
Mechanical stops	YES	YES	YES
Limit switches	YES	NO	NO
Encoder	NO	YES	YES
Operating temperature	-20°C /+50°C	-20°C /+50°C	-20°C /+50°C
Leaf max dimension	3 m	3 m	3 m
Weight	9,6 kg	9,6 kg	9 kg
Items no. per pallet	49	49	49
Kit weight	21.4 kg	22.1 kg	18.4 kg
Kits no. per pallet	12	12	12

* Available in 115 VAC version