

M KIT FOR
BIFOLDING
SWING GATES



What to consider before installing a swing gate

Whether in residential or industrial settings, the first thing to do is to make sure there's enough space within the manoeuvre area to install a swing gate.

Why choose a bifolding swing gate

A bifolding swing gate is the ideal choice when there's not enough room for a 1- or 2-leaf swing gate.

HI-MOTIONS has designed a range of accessories for swing gates installed in industrial, commercial and residential settings.

This kit – designed and developed for leaves measuring up to **2 m** and weighing up to **200 kg** – consists of a side bracket and a central rod to connect the two leaves.

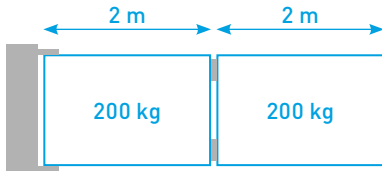
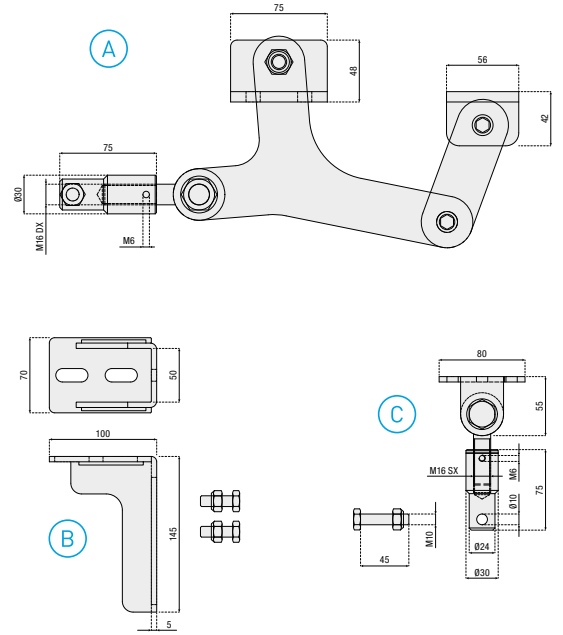
Why choose HI-MOTIONS systems

- These systems adapt to any situation or setting
- The galvanised steel accessories allow you to make accurate adjustments, thus making installation easier



BASIC KIT

500.B00

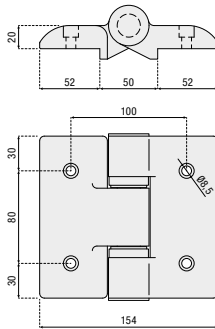


Use limitations may change depending on the hinges and bolt-on bearing hinges used

A	Adjustable connecting rod	1
B	Adjustable pivot bracket	1
C	Joint bracket	2

ACCESSORIES

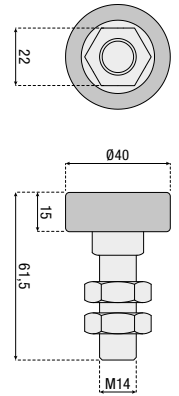
Black aluminium double hinge



LOAD CAPACITY
(of two hinges of the same leaf)

581.10	150 kg	2
---------------	--------	---

Guide roller with bearing and pin



642.40	12
---------------	----

Lower limit stop for R40 mm rollers



528.40	2
---------------	---

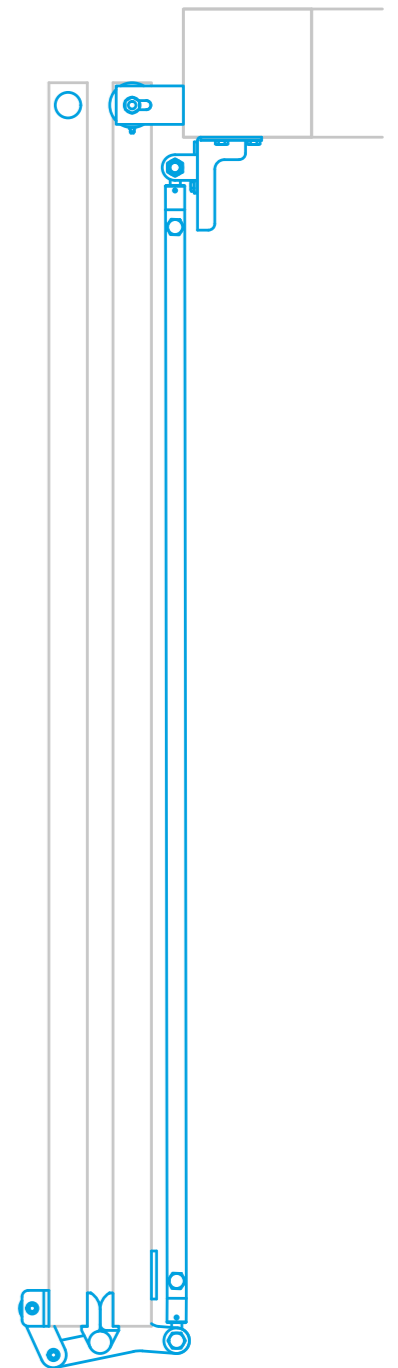
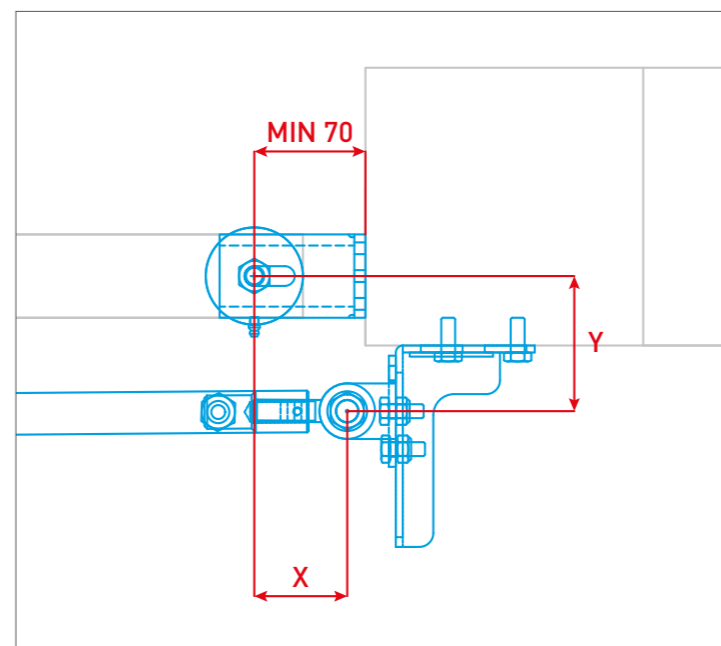
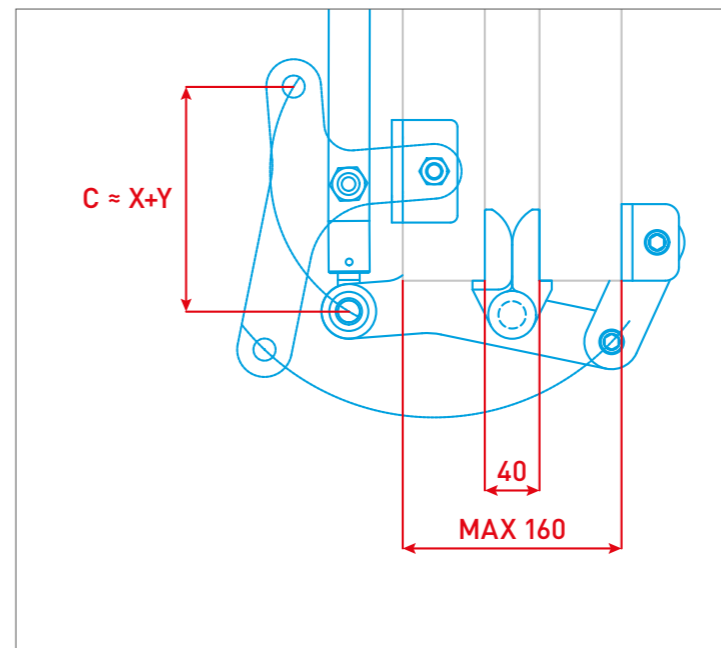
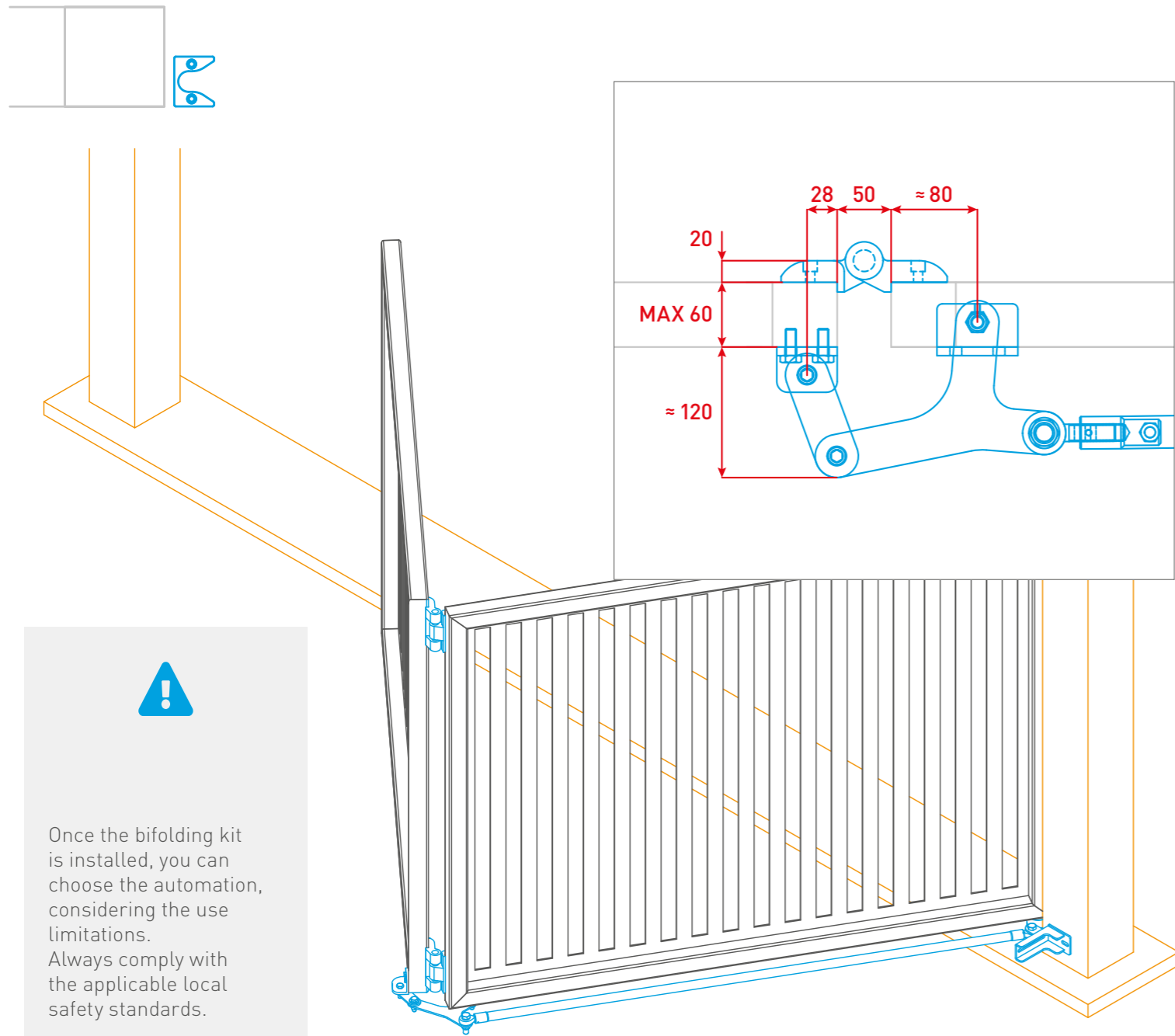
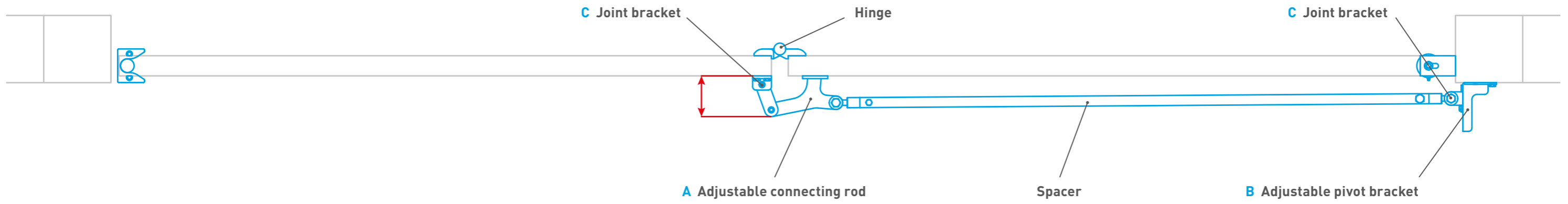
Spacer (30x3 mm, round)



501.31	2,75 m
---------------	--------

Pipes used to make the spacer:

- 28x2 mm (square or round)
- 30x3 mm (square or round)
- 35x4 mm (square or round)
- 1" sch 40 (Ø 33,4x3,38) (square or round)



Once the bifolding kit is installed, you can choose the automation, considering the use limitations. Always comply with the applicable local safety standards.



HI-MOTIONS Srl

Via dell'Industria, 91
36030 Sarcedo (VI) ITALY

T +39 0445 367536

F +39 0445 367520

info@himotions.it

www.himotions.it