



24VDC

# KBN24

64

## ARTICULATED ARM

with integrated control unit and receiver

up to 2.1 m



### CONTROL UNITS:

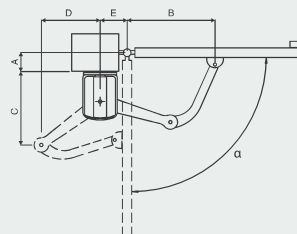
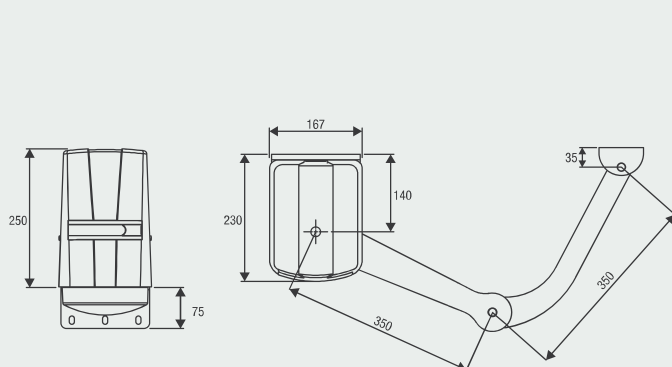
BN.E24 ——— CP,BN

159



## 24 Vdc | intensive use

- 24Vdc electromechanical operator for intensive use
- Suitable for gates installed on large posts
- Operation guaranteed even in the event of a power supply failure through batteries
- Amperometric sensor obstacle detection system to prevent crushing
- Equipped with mechanical stop in opening
- New adjustable wire unlock device allows opening in the event of a power supply failure



A (mm)	B (mm)	C (mm)	D (mm)	E (mm)	α
0	470	382	253	140	90°
50	470	373	261	140	90°
100	470	370	264	140	90°
150	470	375	260	140	90°
185	470	412	220	160	90°
0	420	266	327	200	110°
100	420	305	309	200	105°

### COMPLETE KITS

MOTOR 1  
1x **BN.E24**MOTOR 2  
1x **BN.24**ARMS  
2x **BA**PHOTOCELLS  
1x **PUPILLA.R**FLASHING LIGHT  
1x **LAMPI24.LED**SELECTOR  
1x **TOKEY**TRANSMITTER  
1x **TO.GO2VA****KBN24**



**BA**  
Single arm.



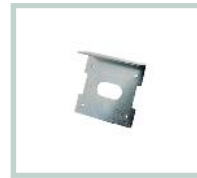
**BN.SE**  
Externally fitted anti-intrusion cable unlock device which allows the gate to be unlocked from outside.



**DU.V96**  
12 Vac/dc vertical electric lock, supplied with counterplate. Permits internal/external release.



**DU.V90**  
12 Vac/dc horizontal electric lock, supplied with counterplate. Permits internal/external release.



**DU.9990**  
Covering plate for DU.V90.



**L.BY**  
Control board for electric lock 12/24 Vdc.



**ID.TA**  
Warning board.



**IRI.TX4VA**  
4-channel transmitter with Advanced Rolling Code and Rolling Code.



**IRI.TX4AK**  
4-channel transmitter with Advanced Rolling Code and Fixed Code.



**IRI.LAMP**  
White full range flashing light, 20-255 VAC with built-in aerial.



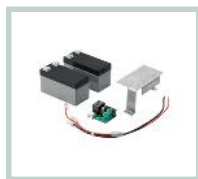
**IRI.KPAD**  
Battery operated wireless vandal-proof digital keypad with alert buzzer and backlit buttons. Triple coding: Rolling Code, Programmable Code and Advanced Rolling Code. 254 memorisable codes.



**IRI.CELL**  
Pair of vandal-proof metal covers for PUPILLA/PUPILLA.R photocells, comprising front and rear shells with concealed screw. They can maintain perfect orientation over 180°.



**PUPILLA**  
Pair of photocells adjustable to 180°. Option to synchronise up to 4 pairs, 24 VAC/DC power supply. Easy adjustment through a LED that signals optimal alignment. Compact size: 36x110x35 mm



**BN.CB**  
Accessory with BN.24V battery charger, 1.2 Ah batteries and support bracket.

TECHNICAL DATA	BN24	BN.E24
Power supply	---	230 Vac (50-60Hz)
Motor supply	24 Vdc	24 Vdc
Max absorbed current	4.6 A	0,76 A
Torque	125 Nm	125 Nm
Opening time	10"	10"
Duty cycle	intensive use	intensive use
Protection level	IP44	IP44
Mechanical stop	adjustable in opening	adjustable in opening
Built-in control unit	NO	YES
Operating temperature	-20°C /+50°C	-20°C /+50°C
Leaf max dimension	2.1 m	2.1 m
Weight	5,8 kg	7,8 kg
Version	KIT only	KIT only
Kit weight	19,9 kg	19,9 kg
Kits no. per pallet	20	20