

230<sub>VAC</sub>

# BISON25 OTI



ENCODER

## INDUSTRIAL USE

control unit with built-in receiver, magnetic encoder and inverter  
 oil lubricated reductions  
 IP68 limit switch  
 personalised release key

**up to 2500 kg**

## CONTROL UNITS:

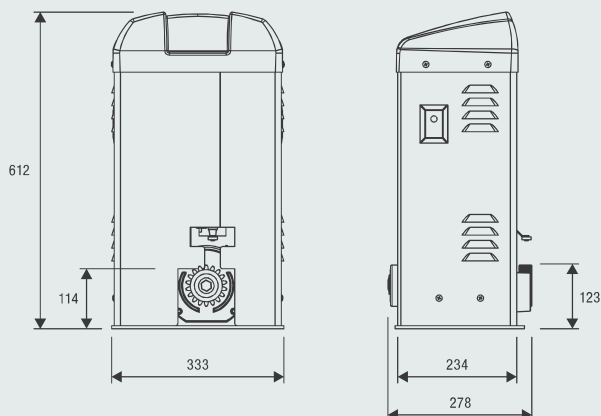
BISON25 OTI — CP,BISON OTI 154



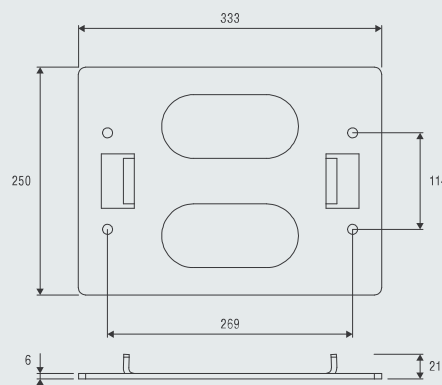
Foundation plate with anchor bolts included.  
 Motor and floor fixing distance  
 269 mm x 114 mm, no. 4 Ø 12 mm.

## 230 Vac

- Three phase 230 Vac geared motor, ventilated for intensive use
- Full metal mechanics and oil lubrication. The type of oil used ensures maximum efficiency even at low temperatures
- The encoder device ensures precision in the gate moving phases
- Casing protective treatment and paint
- The inverter technology allows for more precise adjustment of the gate moving phases, and increased crush prevention security
- Optional built-in FTC,S photocells, available as accessory



Weight (kg)	Speed (m/min)
2,500	10
2,000	11
1,450	13
1,100	15
650	19

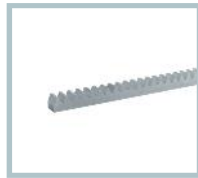




**RI.M4Z**  
M4 galvanised rack to weld 22x22x2000 mm.  
**Package of 2 pcs.**



**RI.M4ZF**  
Galvanised slotted M4 rack 22x22x2010 mm for fastening to the side with the teeth. Supplied with M6 screws.  
**Package of 1 pc.**



**RI.M6Z**  
M6 galvanised rack to weld 30x30x2000 mm. Requires pinion RI.P6.



**RI.P6**  
M6 gear, it needs the rack RI.M6Z.



**RF.SUN**  
Battery-operated device recharged by means of a photovoltaic panel applied on a mobile edge.



**RF**  
Device with a non rechargeable battery, with guaranteed duration 2 years.



**SC.RF**  
Device powered at 12/24 Vdc with self-test function and 2 outputs for connection to the electronic control units.



**ID.TA**  
Warning board.



**IRI.TX4VA**  
4-channel transmitter with Advanced Rolling Code and Rolling Code.



**IRI.TX4AK**  
4-channel transmitter with Advanced Rolling Code and Fixed Code.



**IRI.LAMP**  
White full range flashing light, 20-255 VAC with built-in aerial.



**IRI.KPAD**  
Battery operated wireless vandal-proof digital keypad with alert buzzer and backlit buttons. Triple coding: Rolling Code, Programmable Code and Advanced Rolling Code. 254 memorisable codes.



**FTC.S**  
24 Vac/dc surface mounting photocell. It is possible to synchronise up to 4 pairs of photocells.



**DA.2S**  
Electronic board that allows synchronised movement of 2 automation devices (opposed sliding gates).

TECHNICAL DATA	BISON25 OTI
Power supply	230 Vac (50-60Hz)
Motor supply	≈ 230 Vac
Max absorbed current	8 A
Max Thrust	2500 N
Max opening speed	19 m/min
Duty cycle	intensive use
Protection level	IP44
Operating temperature	-20°C /+50°C
Lubrication	OIL
Max gate weight	2500 kg
Driving gear for rack	M4 Z18
Weight	41.2 kg
Items no. per pallet	8